

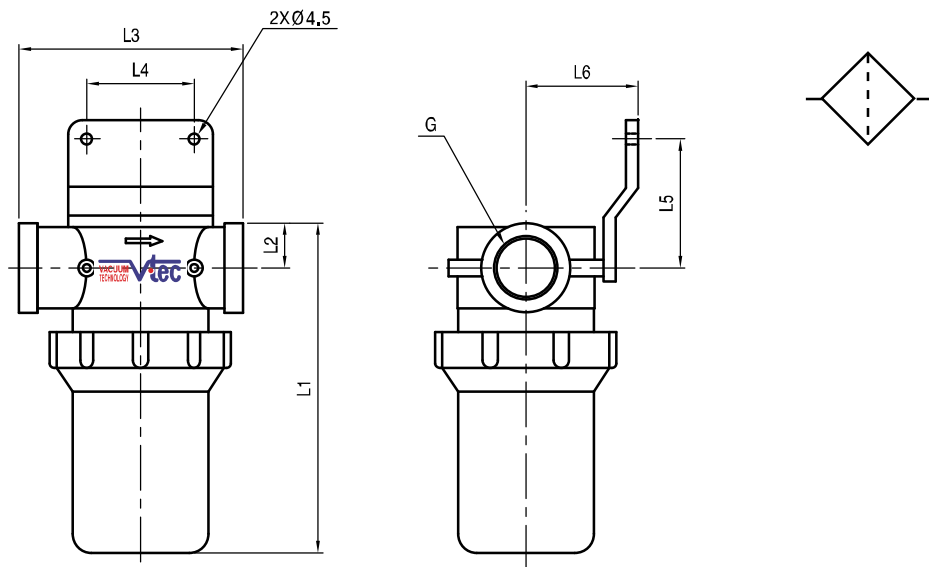
Bowl Vacuum Filter

These filters are useful in conjunction with the larger pumps which use bigger conjunction parts i.e. 3/8". All filters use a detachable bowl and a replaceable element inside.

The housing of the filter comes complete with a surface mounting bracket, this bracket can be mounted either side of the housing. There are five connection sizes available with each size having the option of a standard length bowl and filter or a long style bowl and filter. Elements for all filters can be ordered separately.



Dimensional Information



Operating specifications

[Measure Unit : mm]

Model	Internal Volume (cm ³)	Removal Efficiency (μ)	Material	Working Temperature	G	L1	L2	L3	L4	L5	L6	Weight (g)	Filter Element Model
VTF 38-96	205	20	PA PC PE	-20 °C ~ +100 °C	3/8"	140	18.5	90	44.5	52	47	226	VTFE27.5-39096
VTF 38-141	269					185	18.5	90	44.5	52	47	286	VTFE27.5-39141
VTF 12-96	205				1/2"	140	18.5	90	44.5	52	47	230	VTFE27.5-39096
VTF 12-141	269					185	18.5	90	44.5	52	47	269	VTFE27.5-39141
VTF 34-96	205				3/4"	140	18.5	90	44.5	52	47	213	VTFE27.5-39096
VTF 34-141	269					185	18.5	90	44.5	52	47	258	VTFE27.5-39141
VTF 01-118	495				1"	183	31	125	70	65	67	620	VTFE47.4-62118
VTF 01-154	675					219	31	125	70	65	67	690	VTFE47.4-62154
VTF 02-118	495				1 1/2"	183	31	125	70	65	67	565	VTFE47.4-62118
VTF 02-154	675					219	31	125	70	65	67	636	VTFE47.4-62154